

Fig. 3: Actual - size, solder-side PCB layout.

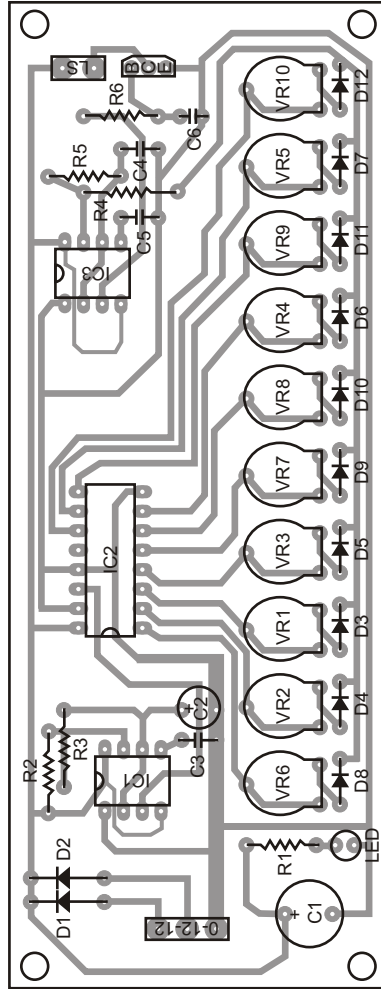


Fig. 4: Component layout for the PCB.

**SEMICONDUCTORS**

IC1,IC3	NE555
IC2	CD4017
Q1	2N5294
D1-D2	1N4001
D3-D12	1N4148
LED	RED

**RESISTORS**

R1	1K
R2	120
R3	470K
R4	39K (METAL FILM)
R5	10K (METAL FILM)
R6	470K
VR1-VR10	47K Preset

**CAPACITORS**

C1	1000 $\mu$ F/25V
C2	1 $\mu$ F/25V
C3,C5	0.01 $\mu$ F
C4	470pF
C6	3.3pF

**MISCELLANEOUS**

X1	230V AC Primary to 12V- 0-12V, 500mA Secondary Transformer
LS	8 Ohms Tweeter